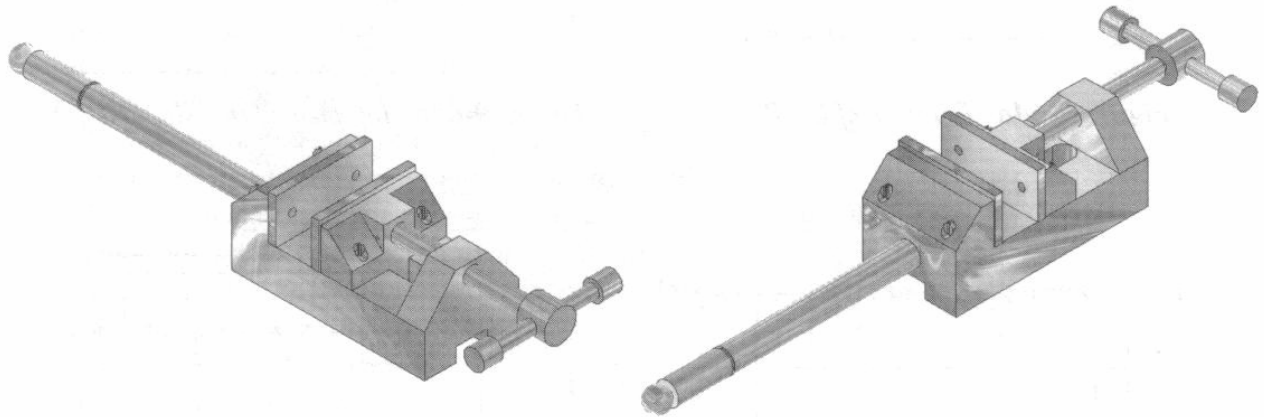
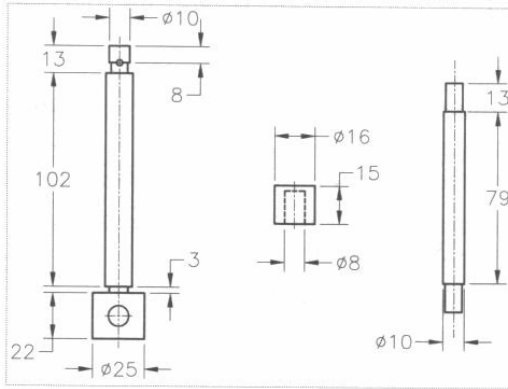


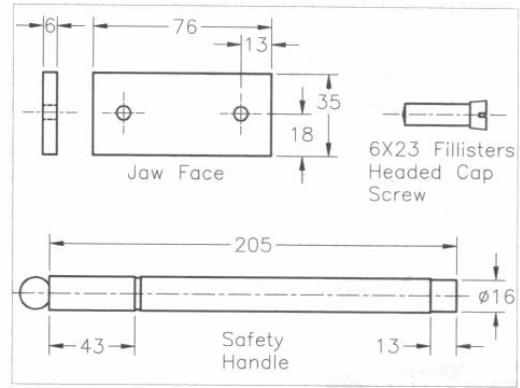
NO: 3



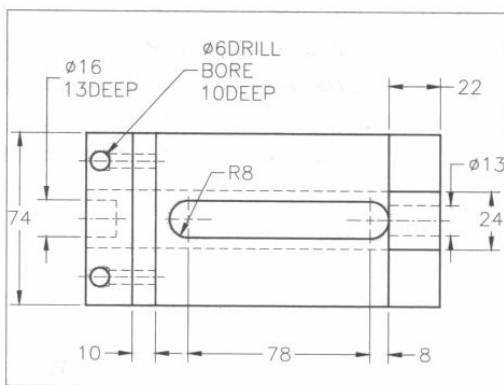
*Drill Press Vice assembly*



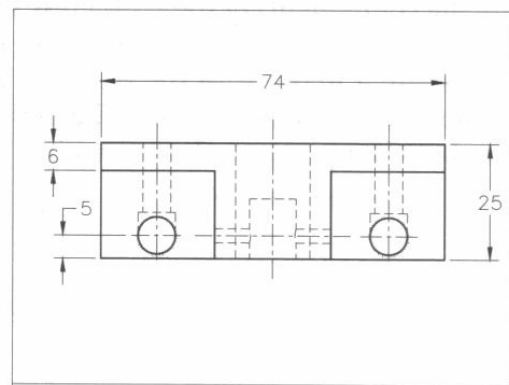
*Dimensions of the Clamp Screw, Handle Stop, and Clamp Screw Handle*



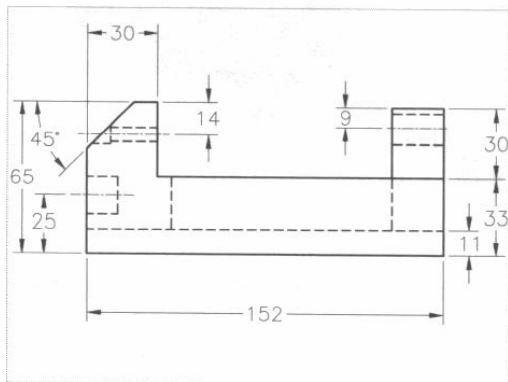
*Dimensions of the Jaw Face, Cap Screw, and Safety Handle*



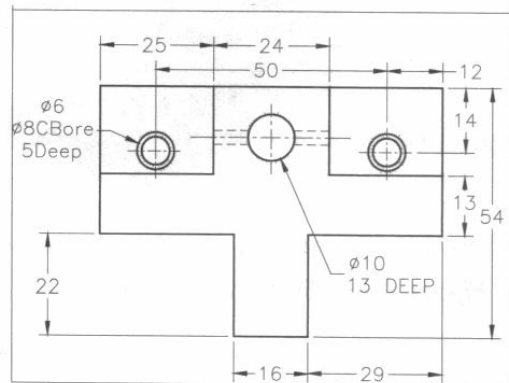
*Top view of the Base*



*Top view of the Movable Jaw*



*Front view of the Base*



*Front view of the Movable Jaw*