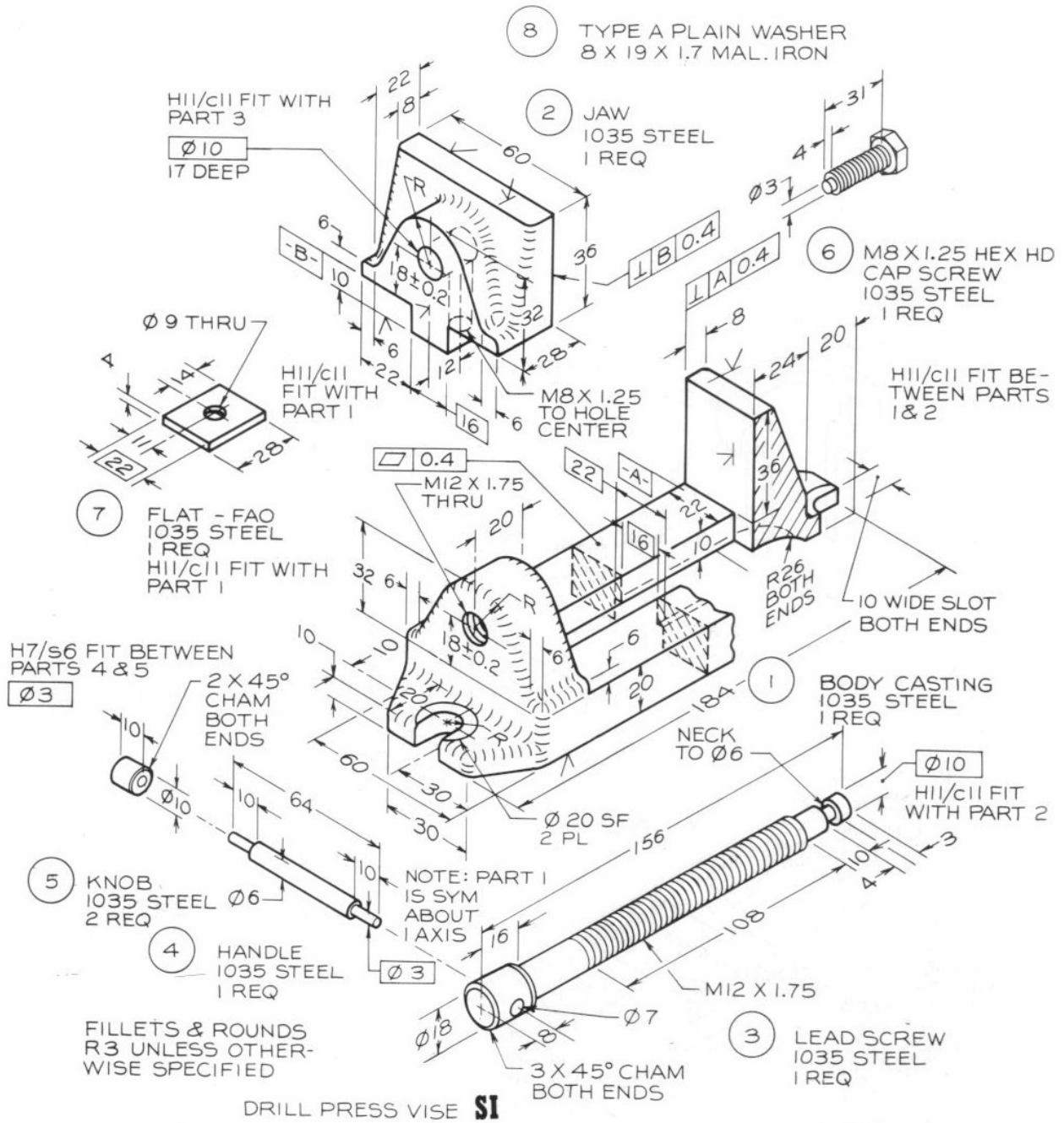


NO: 1



Make detail drawings of the parts of the drill press vise. Draw an assembly and give a parts list.