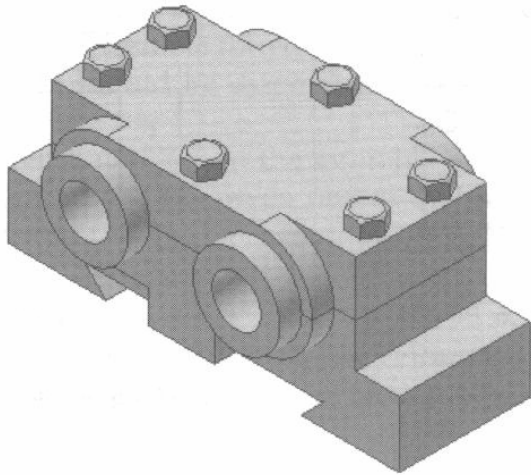
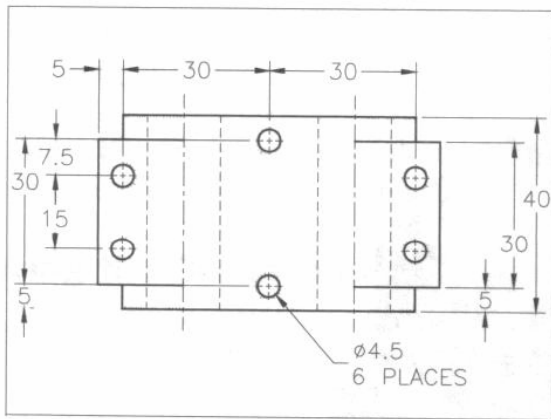


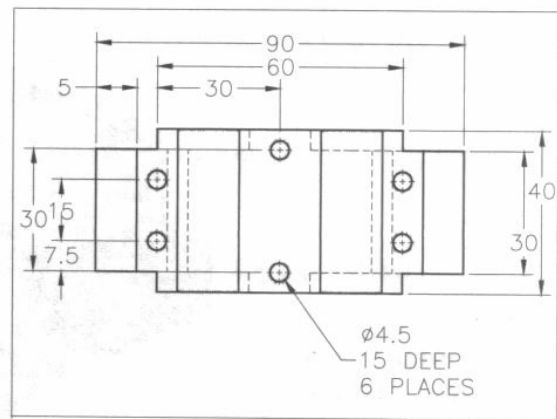
NO: 4



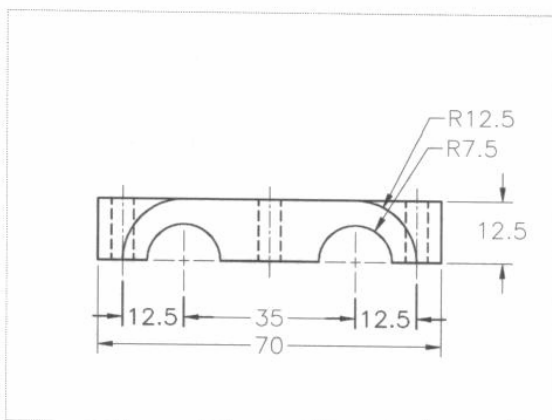
*Double Bearing assembly*



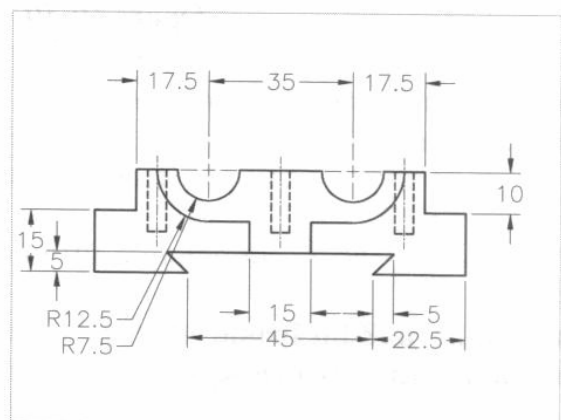
*Top view of the Cap*



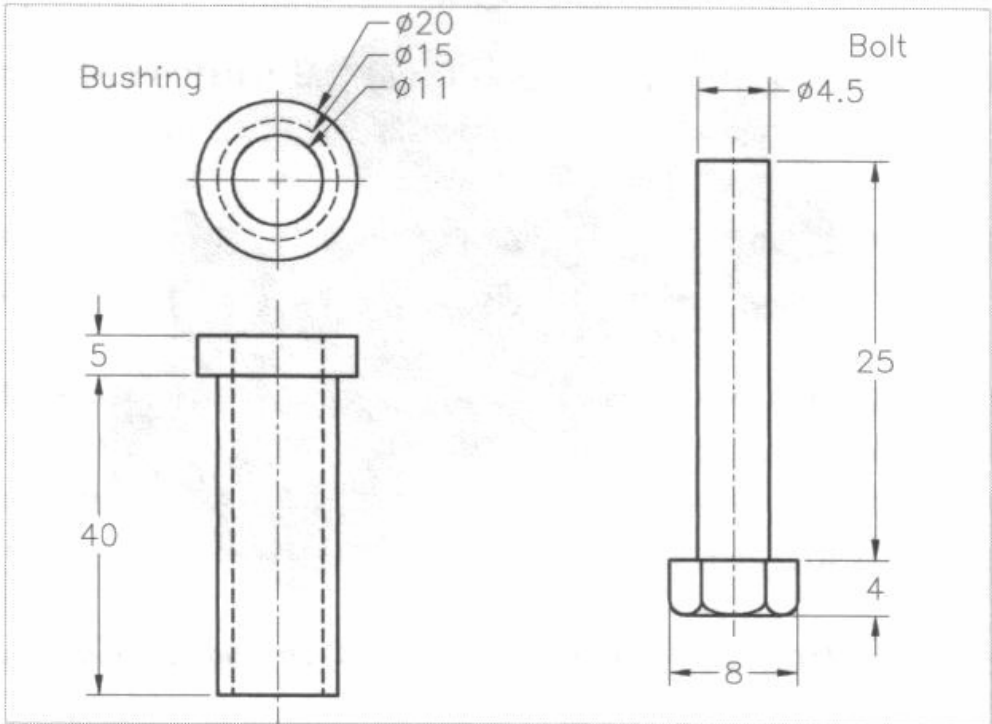
*Top view of the Base*



*Front view of the Cap*



*Front view of the Base*



*Dimensions of the Bushing and Bolt*