

Figure 1 *The Pipe Vice assembly*

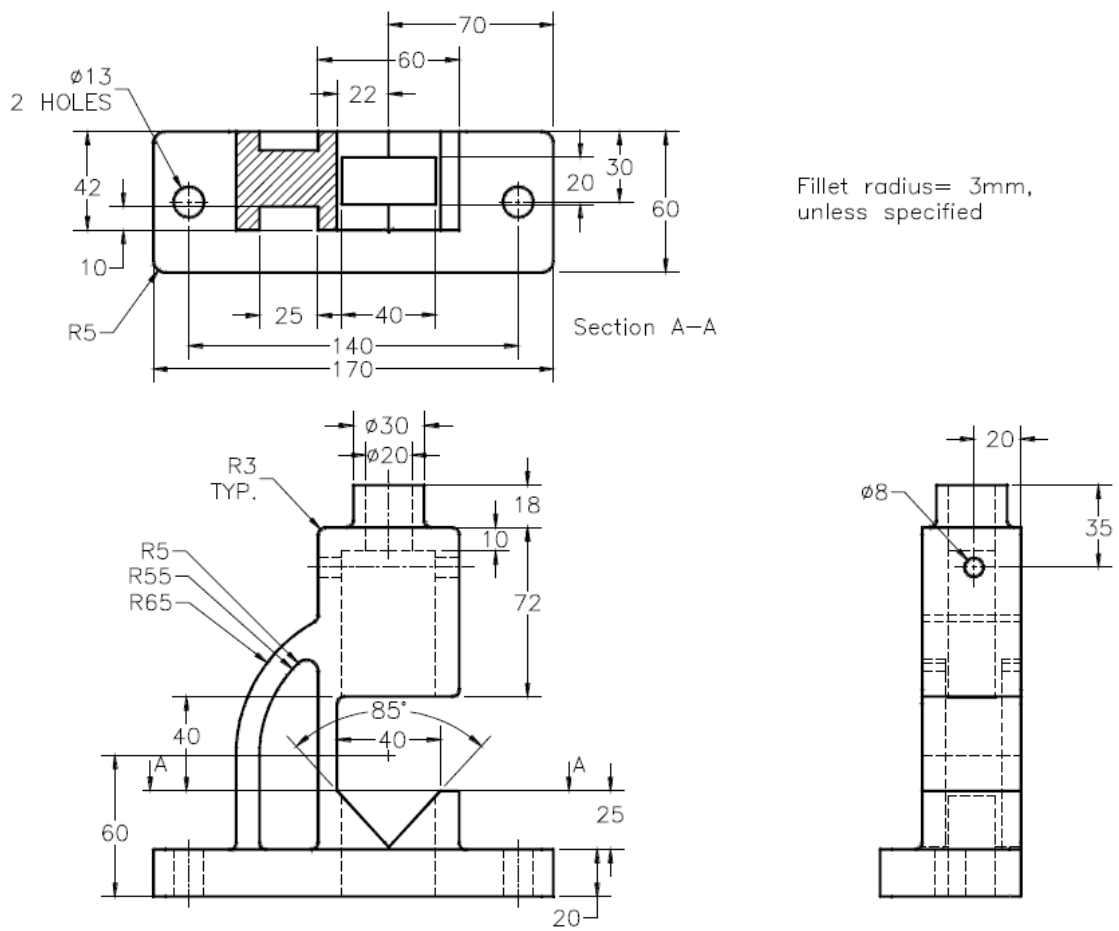


Figure 2 *Views and dimensions of the Base*

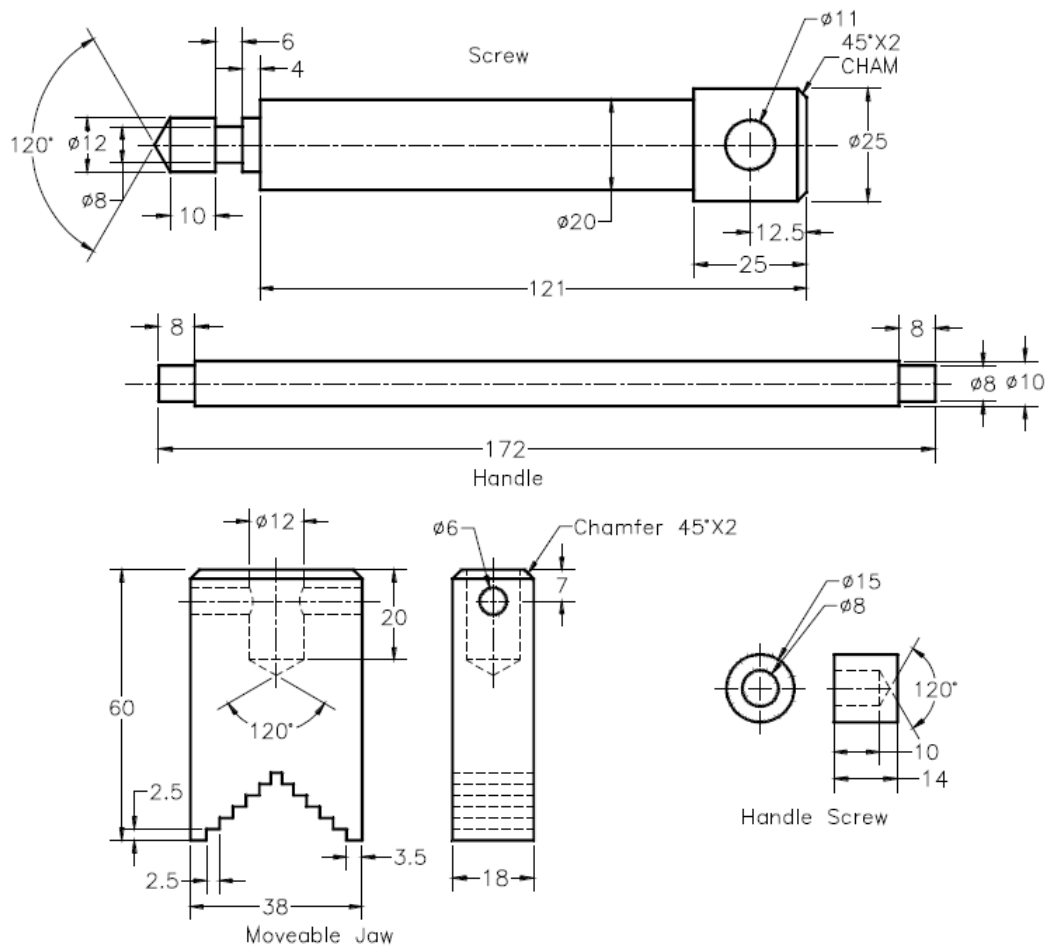


Figure 3 Views and dimensions of the Screw, Handle, Moveable Jaw, and Handle Screw