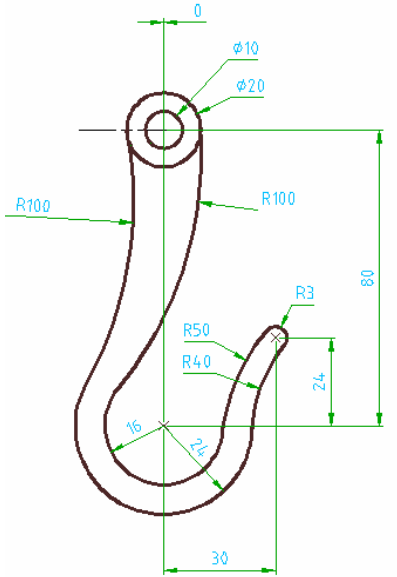


MECH 113

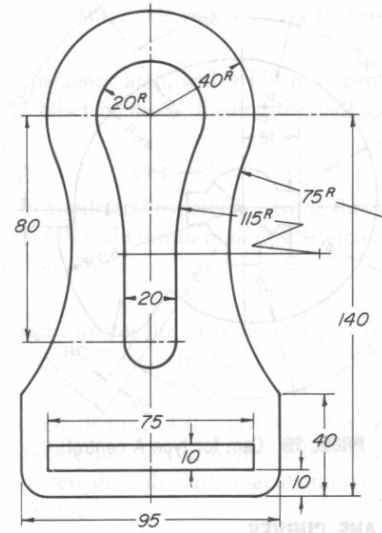
Work Sheet

Draw the following views in AutoCad Mechanical environment to 1:1 scale. Keep the special geometrical constructions in "construction layer"

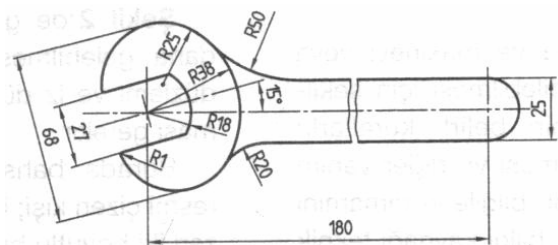
F1)



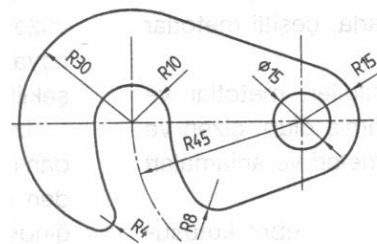
F2)



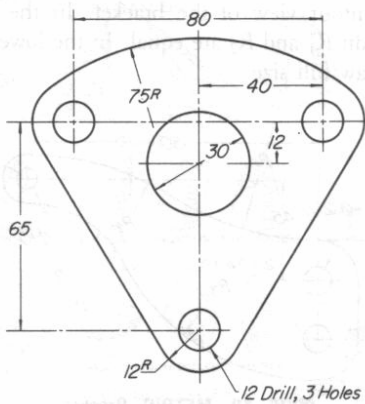
F3)



F4)



F5)



F6)

