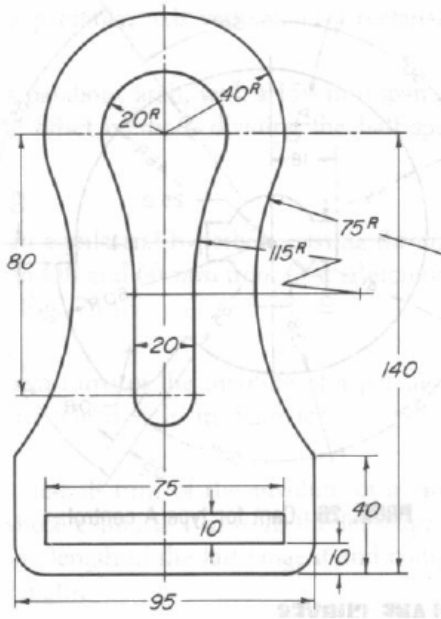
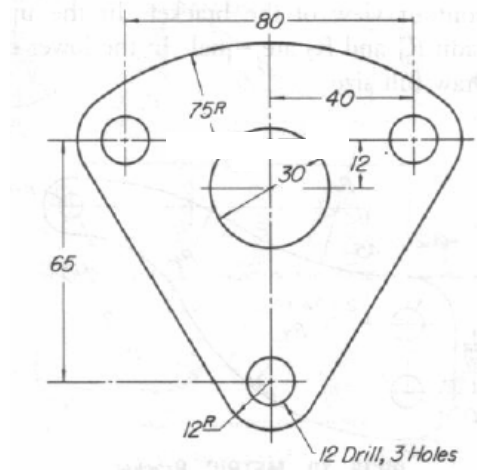


Requirements for each:

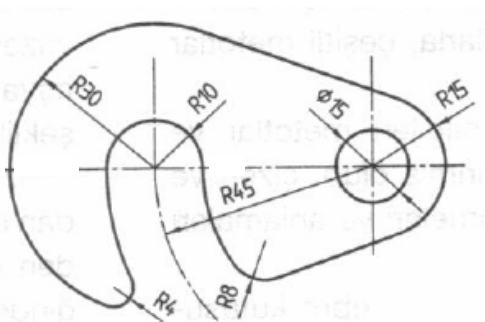
- 1). Draw the given view in AutoCAD
- 2) Transfer the view to Inventor and then create a right prism of thickness 20
- 3) Create the solid models starting from the sketching stage.



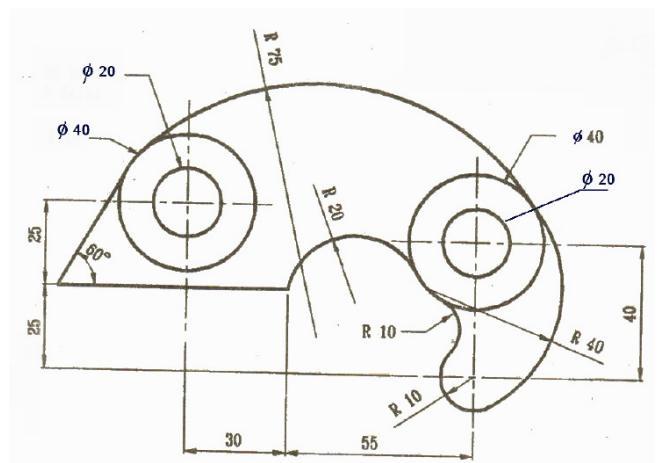
p1)



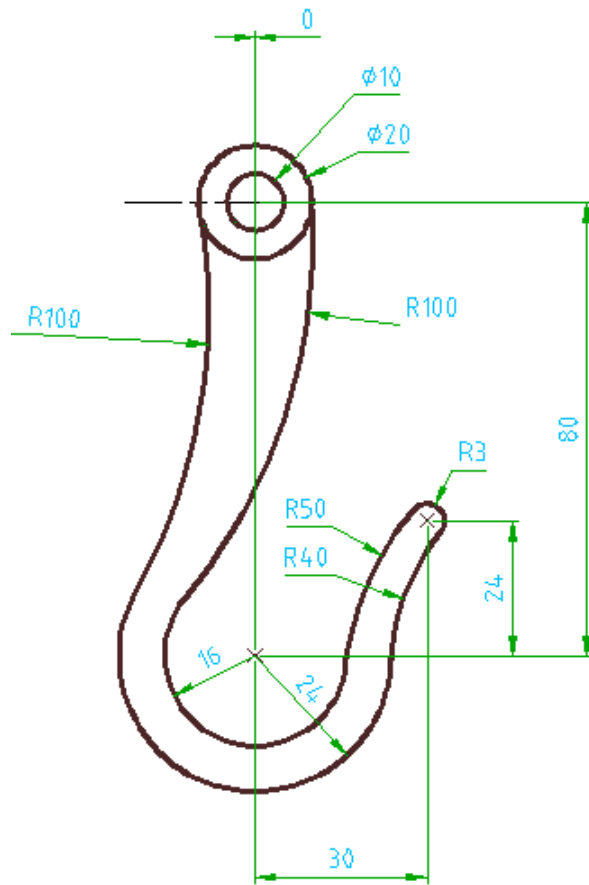
p2)



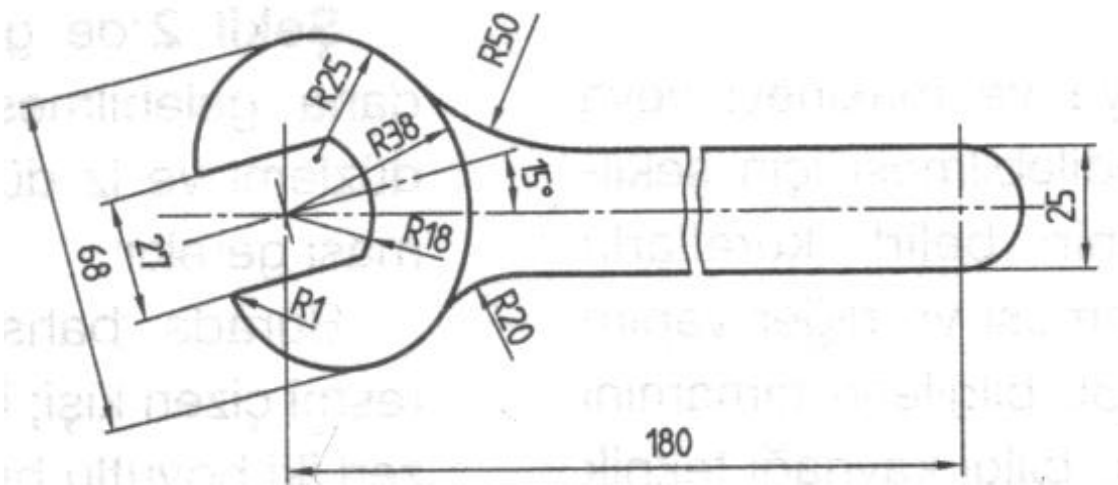
p3)



p4)



P5)



P6)