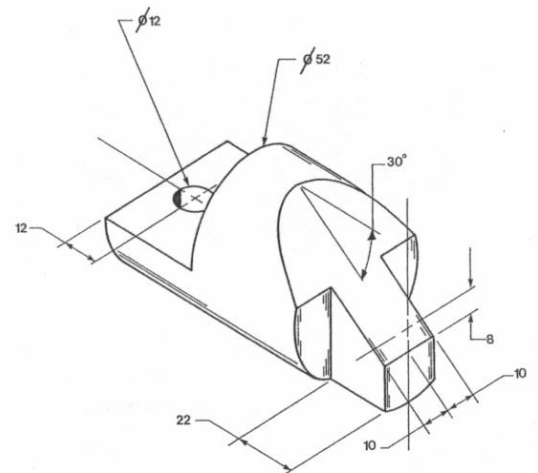
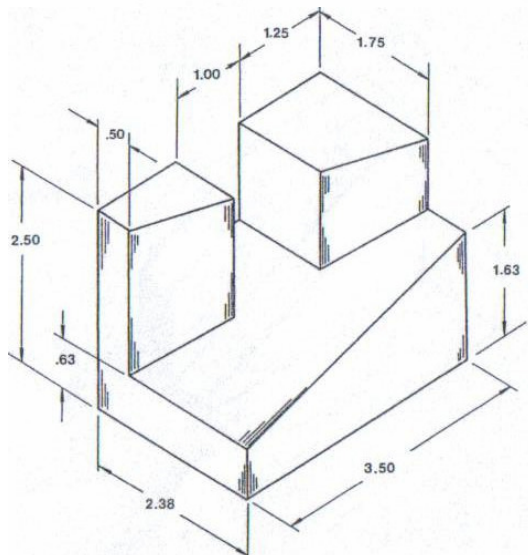
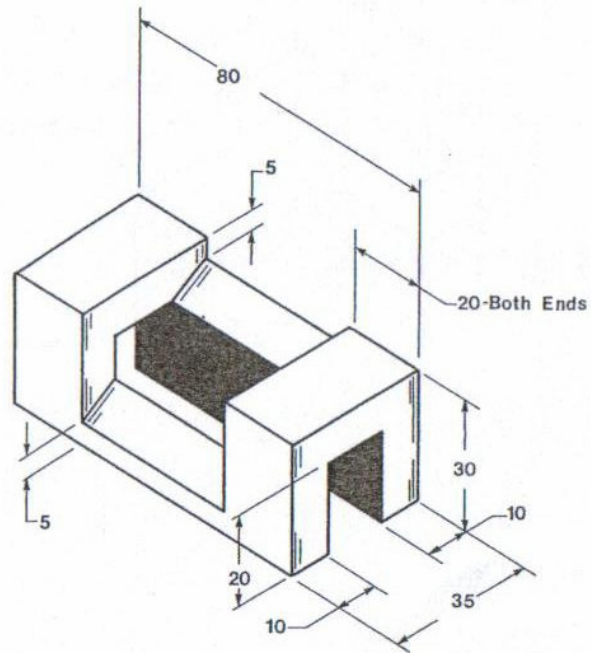
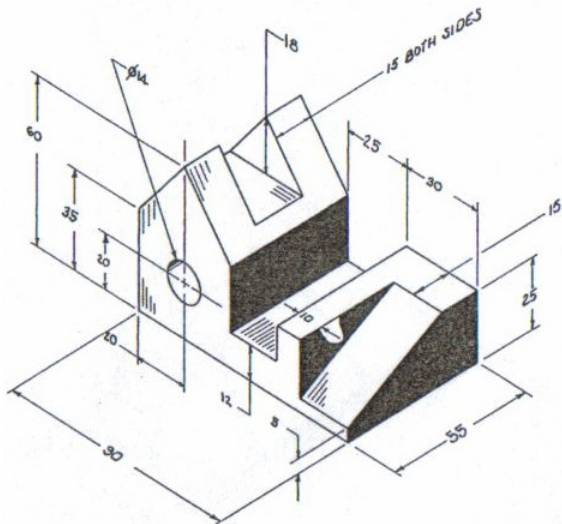
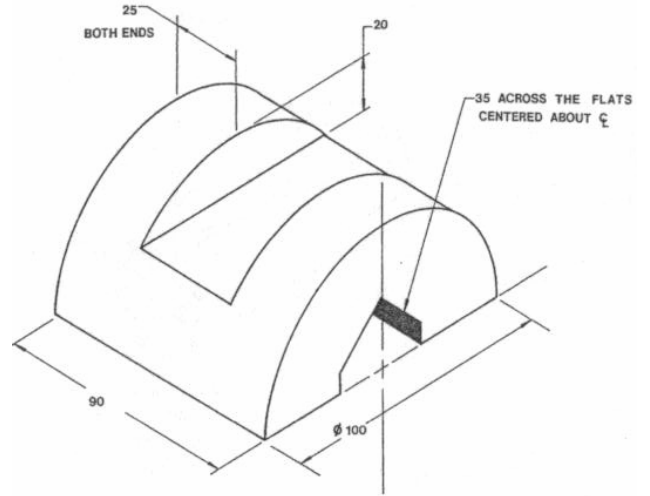
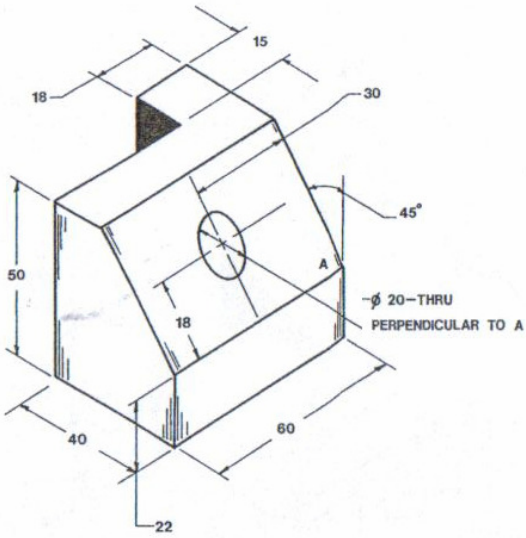


Create the solid model of the following objects and for each of them generate the front, the top and the profile views in the working space of A3 metric template. Show the necessary dimensions.



Scale: 1/1