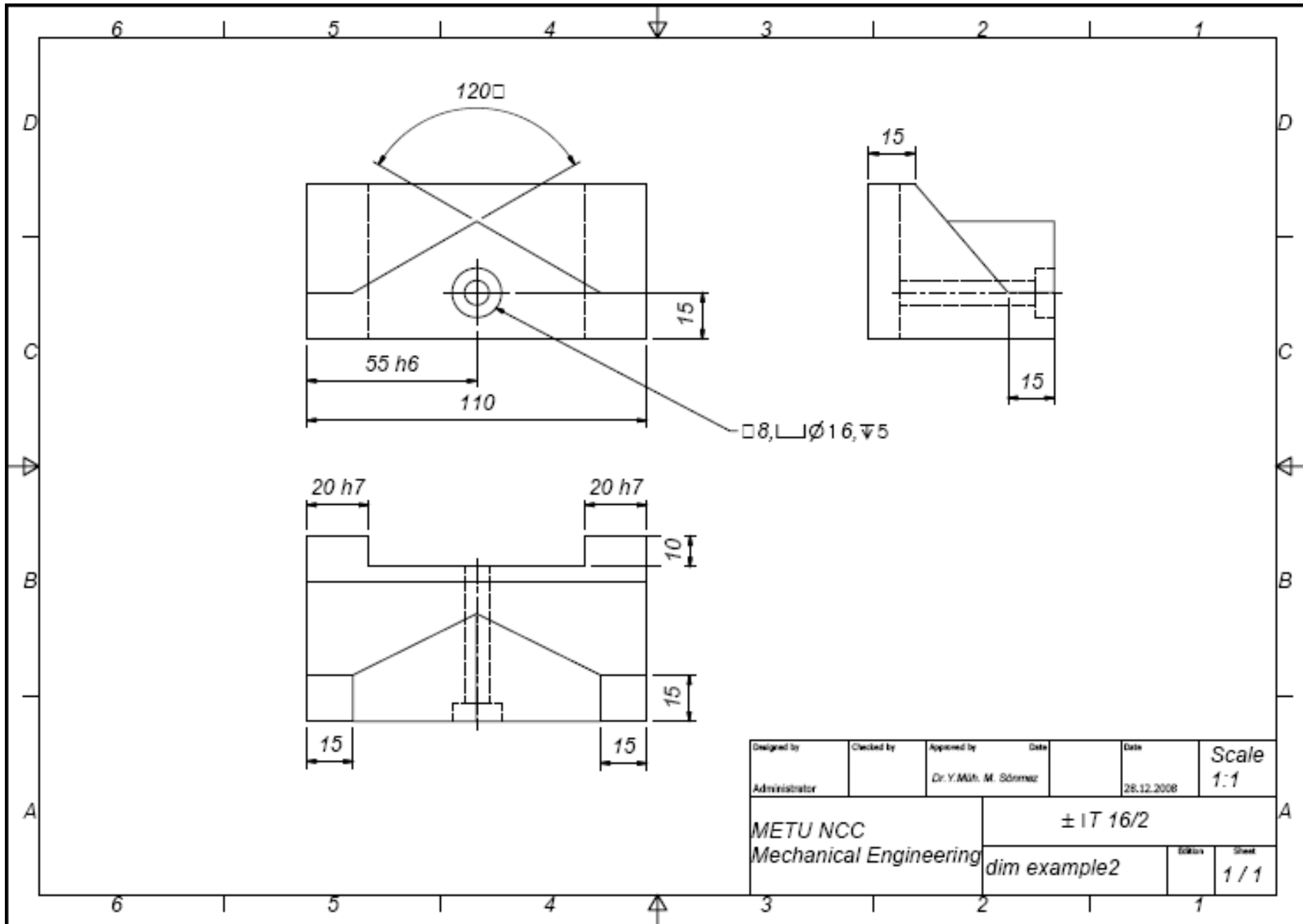
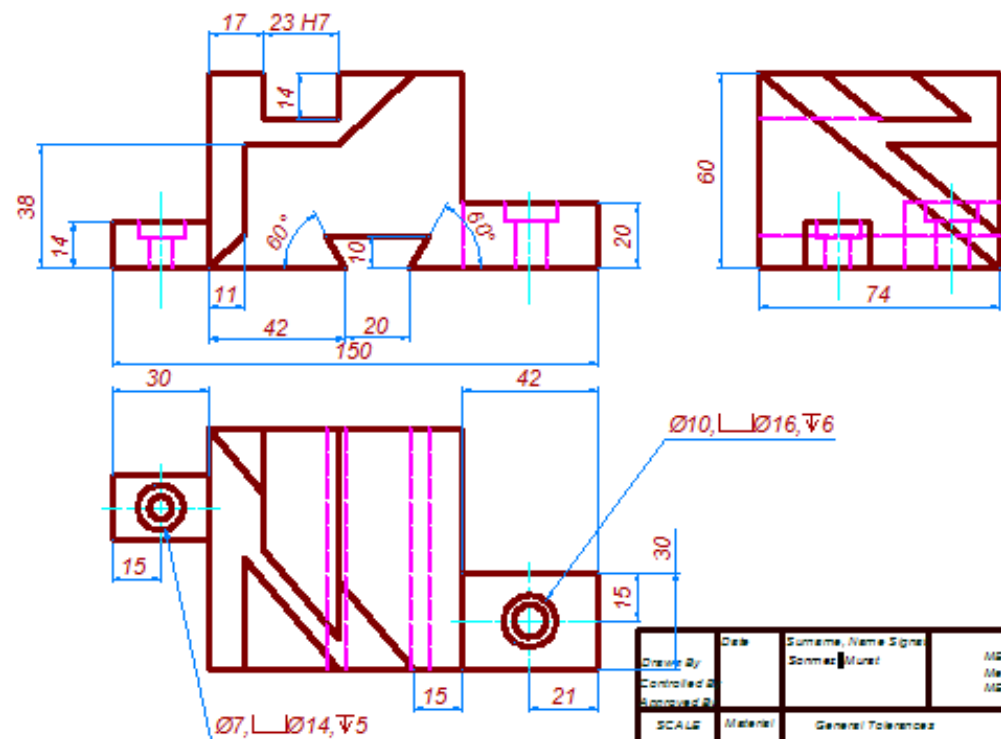


Drawn by	Date	Surname, Name, Sign.	METU NCC
Controlled			
Approved		Dr.Murat Sönmez	
SCALE 1:1	Material	General Tolerances ISO 2768-m	Drawing No.:
SI -			Replaced By:
			Replaces:





Drawn By: Controlled By: Reviewed By:	Date:	Surname, Name Sign: Surname: Muret	MEFV/ACC Mech. Eng. Dep. MECH 112
SCALE: 1:1	Material: St-50	General Tolerances: ISO 2768-m	Drawing No.: 015-08
DT:		SLIDE BEARING	Revised By: Revised: