

Student Name Surname:
ID No:
Signature:

Q1) Draw the given orthographic view in AutoCAD Mechanical environment on an **A2** size paper template to scale: **1:2**. In the template have the following layers in addition to the automatically activated ones:

Joint (a visible out line layer, line color: blue)

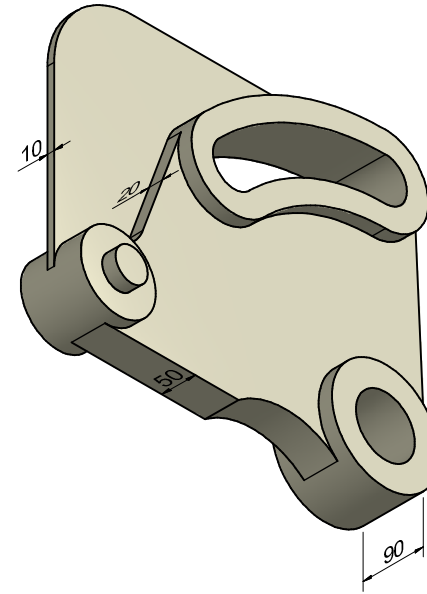
Axes (Symmetry axes layer, line color: black)

Construction layer (for keeping construction lines, line color: red)

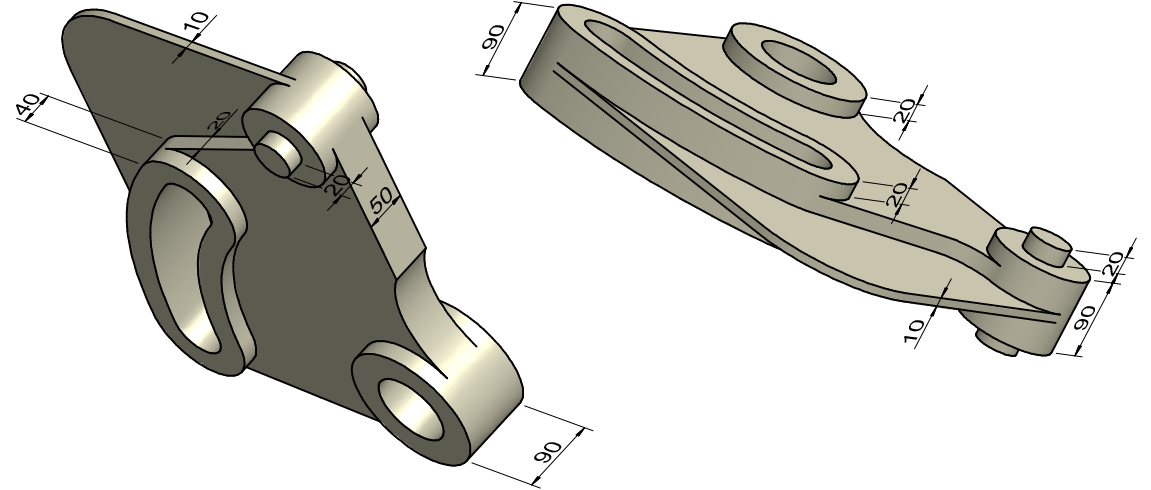
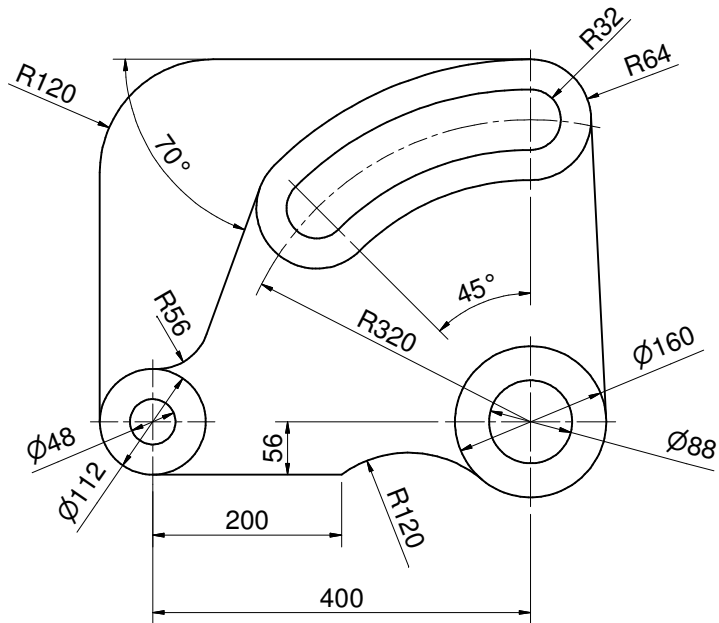
Save file in E: Mydocuments naming the file as: **surnameidnoq1mtdec5**

Q2) Transfer the drawing from AutoCAD environment to Inventor environment and then create the object as it is given in the pictorial figure.

Save the file naming it as: **surnameidnoq2mtdec5**



Round all the edges, R=3



Designed by	Checked by	Approved by	Date	Date	
M-Sonmez				03.12.2011	
Mondayq1 B				Edition	Sheet
					1 / 1