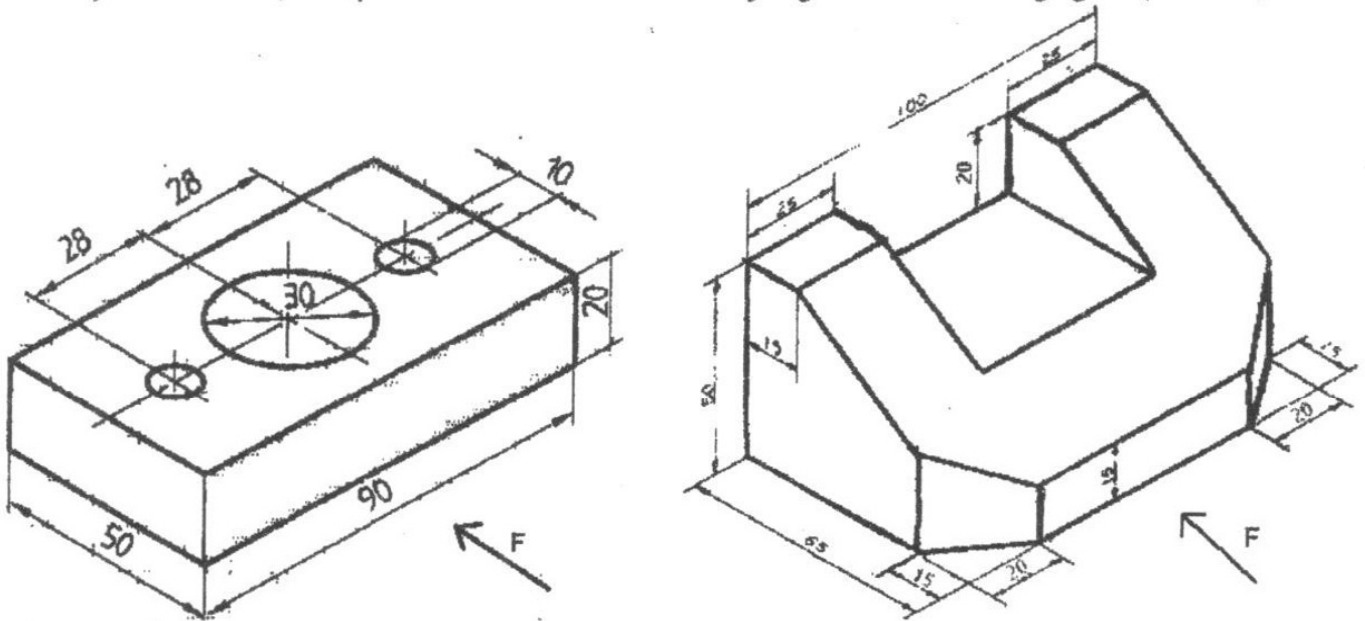
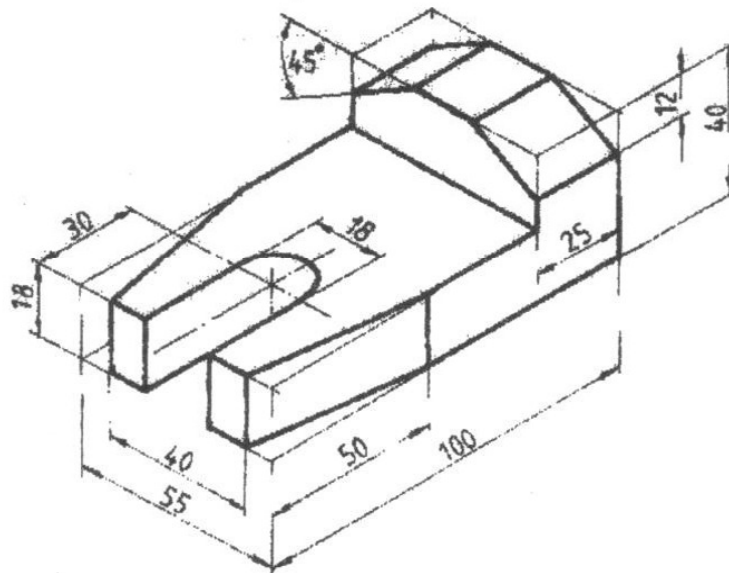


P1 & P2). Draw the front, the top and the left-side views for the object given in the following figures. (Scale: 1:1, Material: St-50)



P3). Draw the front, the top and the left-side views for the object given in the following figure. (Scale: 1:1, Material: St-50)



P4). Draw the front, the top and the left-side views for the object given in the following figure. (Scale: 1:1, Material: St-50)

